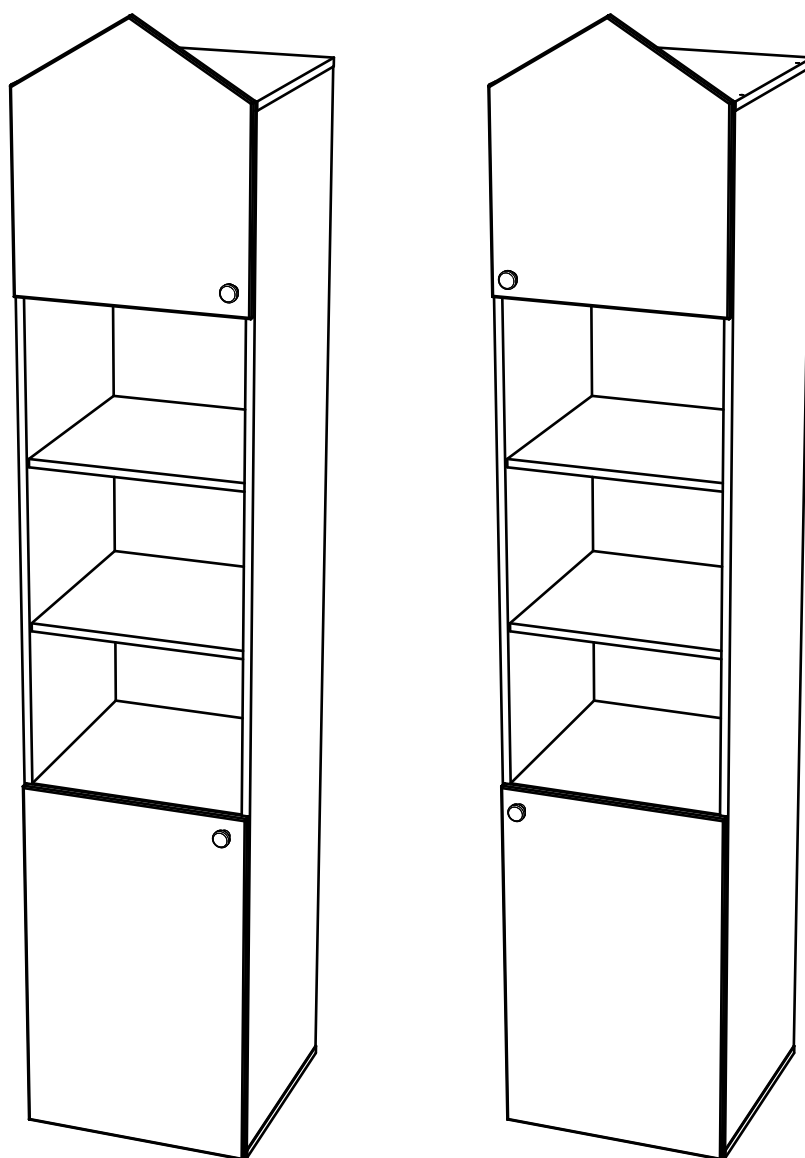


Инструкция по сборке. НМ 041.44 Шкаф для книг Банни

Габаритные размеры (Ширина x Глубина x Высота)
452 x 460 x 2200



Operational Requirements and Safety Precautions for Furniture

A period, during which the furniture retains its appearance and serviceability, largely depends on how it is stored and operated. Follow simple tips to keep your furniture in the best condition.

Light

Do not expose your furniture to direct sunlight. Prolonged direct exposure to sunlight may result in colour changes in some areas, compared to the rest of the item that has been less exposed.

Temperature

Extreme temperatures, as well as sudden changes in temperature, can seriously damage the furniture or its parts. Do not place your furniture closer than one metre from heat sources and/or heating devices. The recommended ambient temperature for storage and operation is from +10 to +25 °C. Do not put hot objects (irons, dishes with boiling water, etc.) on your furniture, as well as do not expose it to heat radiation (light of powerful lamps, microwave emitters, etc.) over a long period of time.

Humidity

The recommended relative humidity for rooms with the furniture is 60-70%. Avoid long periods of extreme humidity and/or dryness, even more so avoid their periodic change. Over time, such conditions can affect the integrity of your furniture and its parts. If such conditions are observed, it is recommended to frequently ventilate the room and, if possible, use dehumidifiers/humidifiers to normalise the humidity level. Do not place your furniture near damp or wet walls or objects.

Aggressive and abrasive products

Keep away aggressive liquids (acids, alkalis, solvents, etc.) or products containing such liquids and their vapours from your furniture. Such substances and their compounds are chemically active and interaction with them may lead to negative consequences for you and your property. Also, some detergents or cleaners contain high concentrations of aggressive chemicals and/or abrasive substances. The use of such detergents or cleaners is not allowed.

Smell

New furniture may have a natural smell of materials, which it is made from. The smell can linger for 3 weeks from the date of assembly. To reduce the intensity of such smell, it is recommended:

- for upholstered furniture, vacuum clean the item and ventilate the room.
- for cabinet furniture, wipe the item with a cloth soaked in a mild detergent, wipe with a clean dry cloth, and ventilate the room, pre-opening all doors and drawers of the furniture.

Repeat 3-4 times a day.

Maintenance

Always keep the surfaces of your furniture completely dry. If necessary, wipe the surfaces of your furniture with a dry soft cloth (flannel, cloth, felt, etc.). It is recommended to clean the furniture as soon as possible after it gets dirty. If not removed promptly, contamination may leave stains or damage the coating of the furniture or its parts. For persistent contamination, it is recommended to use special cleaners. Carefully read instructions how to use a detergent: the product shall be intended for materials, which furniture is made from. Do not use detergents containing abrasives. Do not use baking soda, washing powders, and other cleaners, not intended for furniture. Clean the surfaces of your furniture using special detergents.

To remove dust from soft parts of the furniture, use a vacuum cleaner with special nozzles for cleaning furniture.

Do not place or move objects with sharp corners, edges, and/or protruding sharp parts on the furniture.

Operation

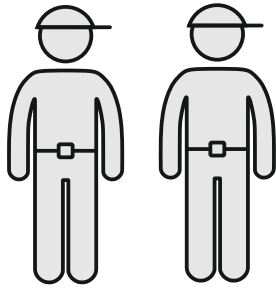
The load on the furniture and its parts (shelves, drawers, seats, etc.) shall not exceed the manufacturer's standards, specified in the Assembly Guidelines.

It is not recommended to stand on the furniture, jump, or subject the furniture to high dynamic loads.

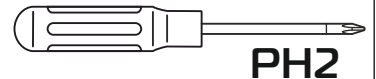
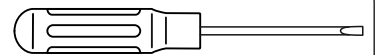
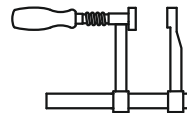
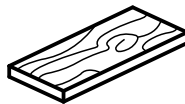
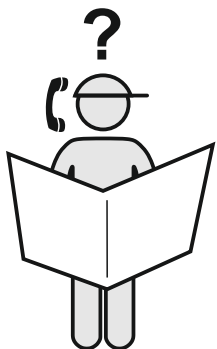
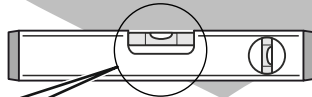
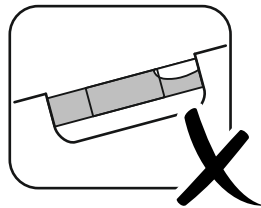
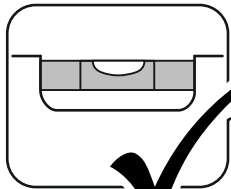
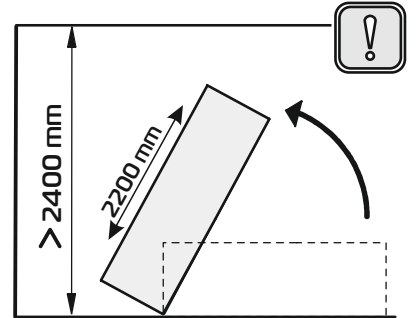
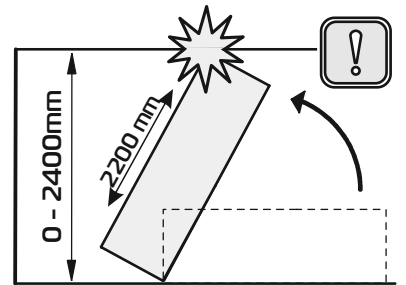
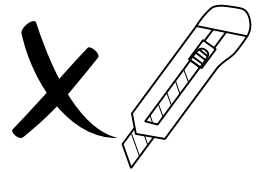
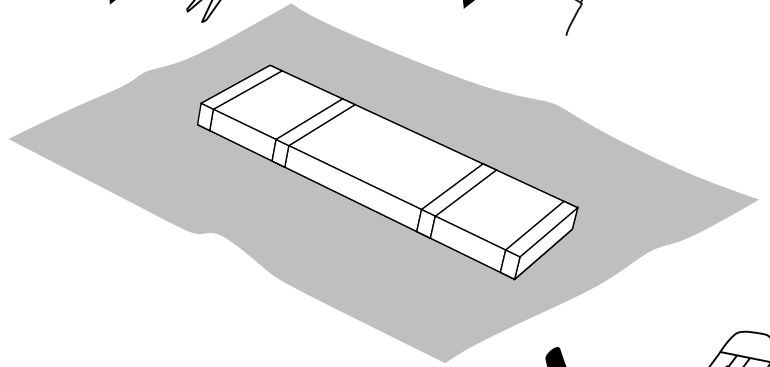
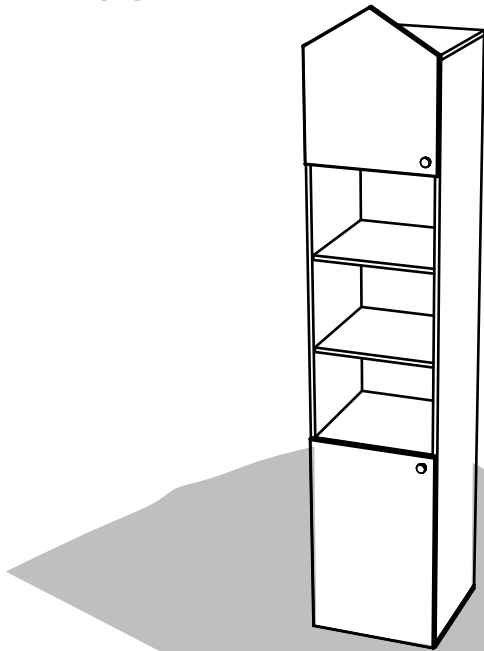
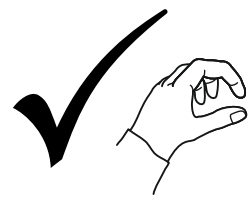
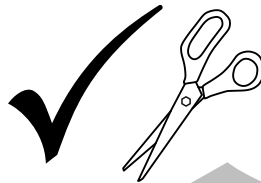
Periodically, check the tightness of threaded connections of fastening transformation mechanisms and tighten them, if necessary.

If transformation mechanisms begin to creak, lubricate them with a special lubricant.

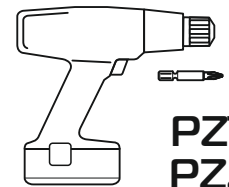
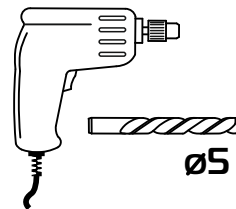
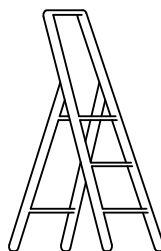
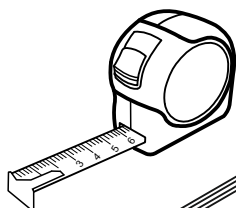
When using transformation mechanisms, strictly follow these guidelines, avoid excessive efforts, jerks, and distortions of mechanism elements.



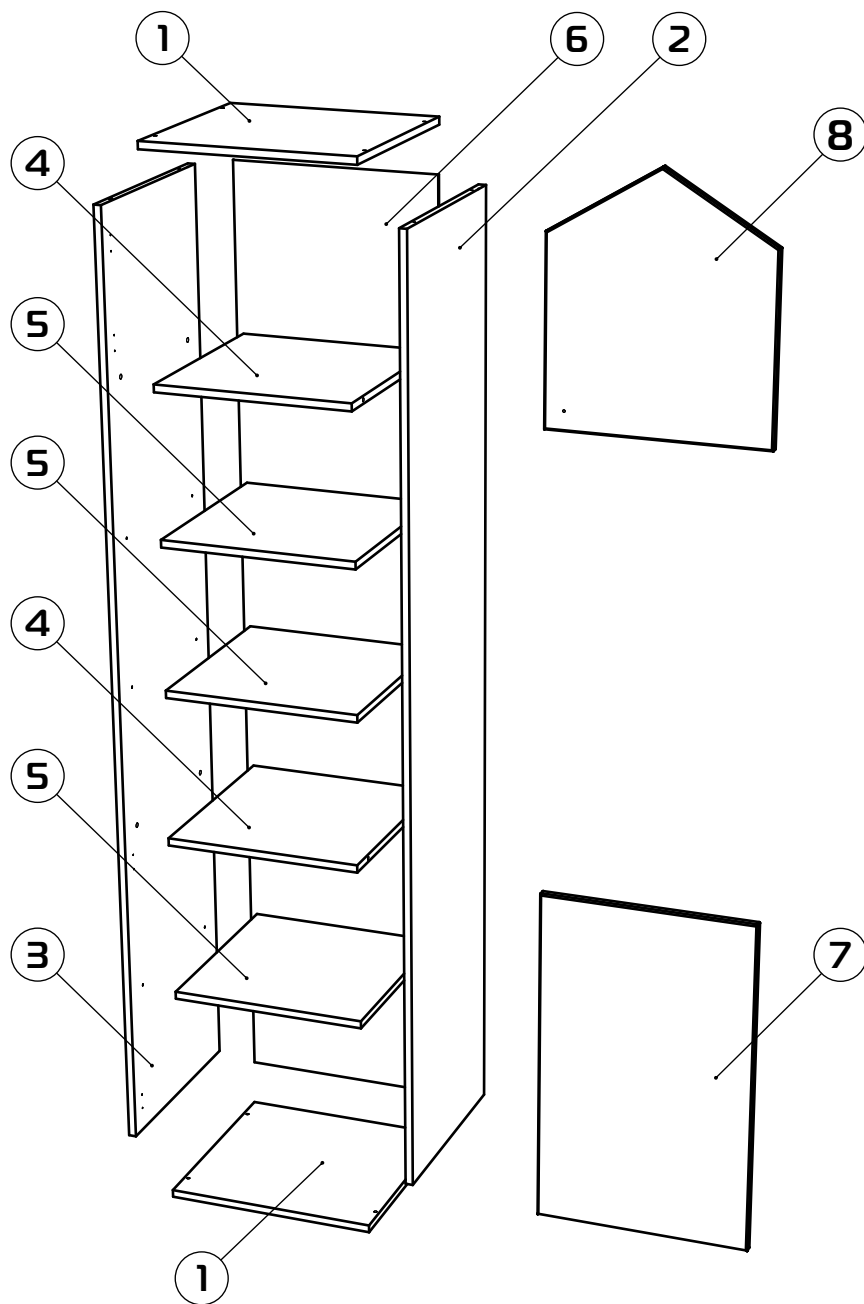
45-60 min



PH2

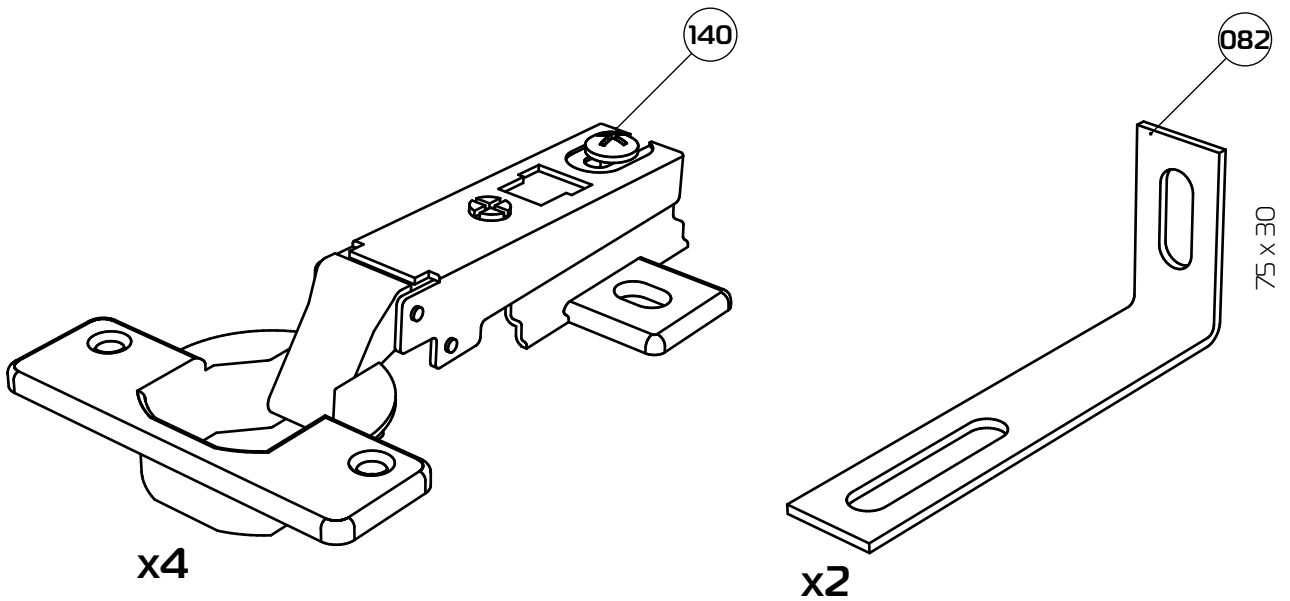
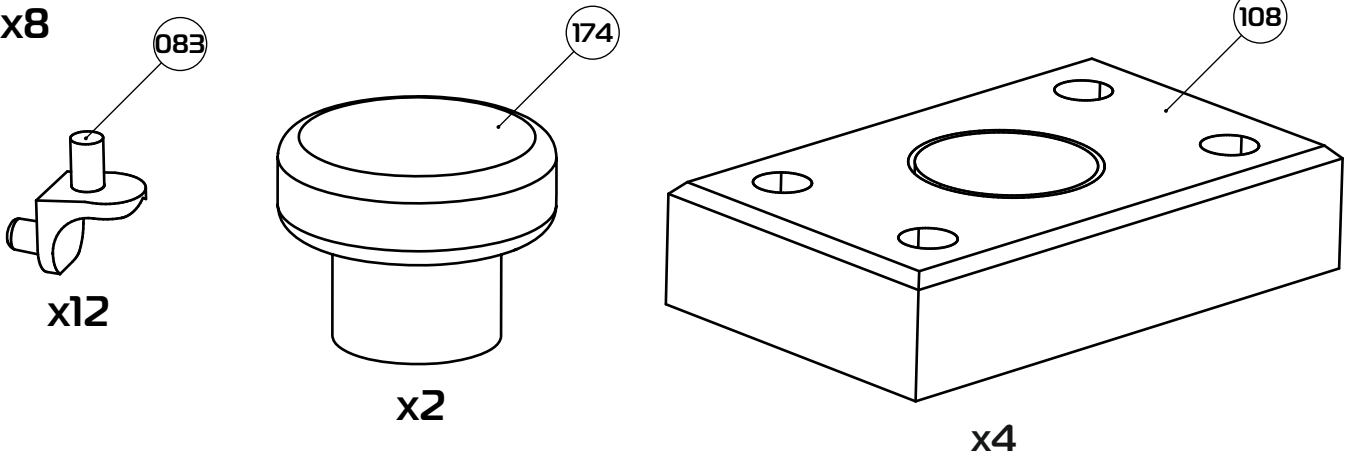
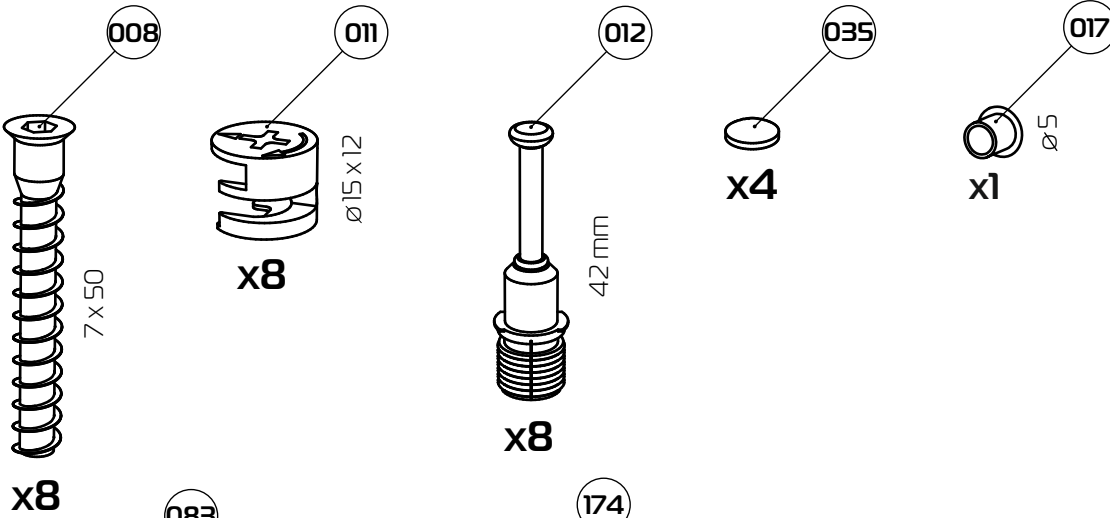
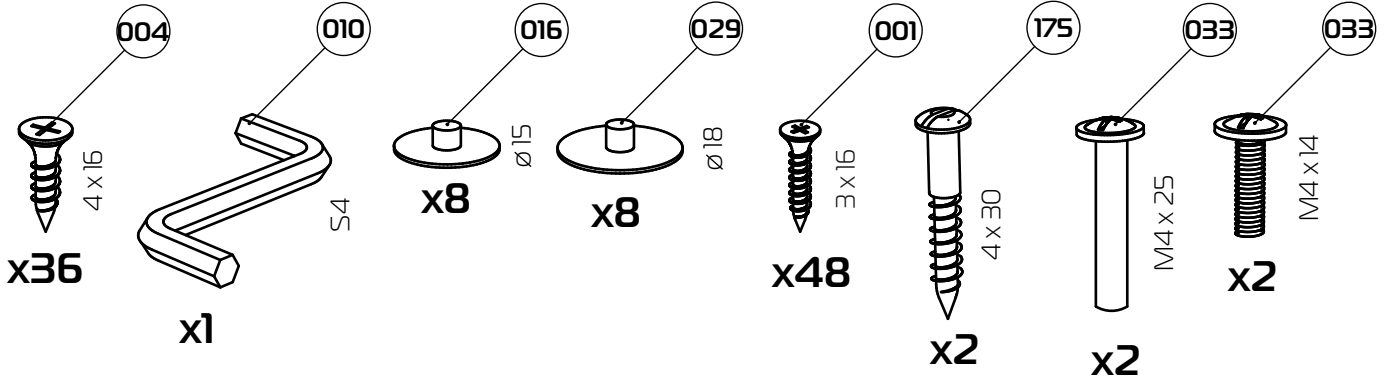


PZ1
PZ2

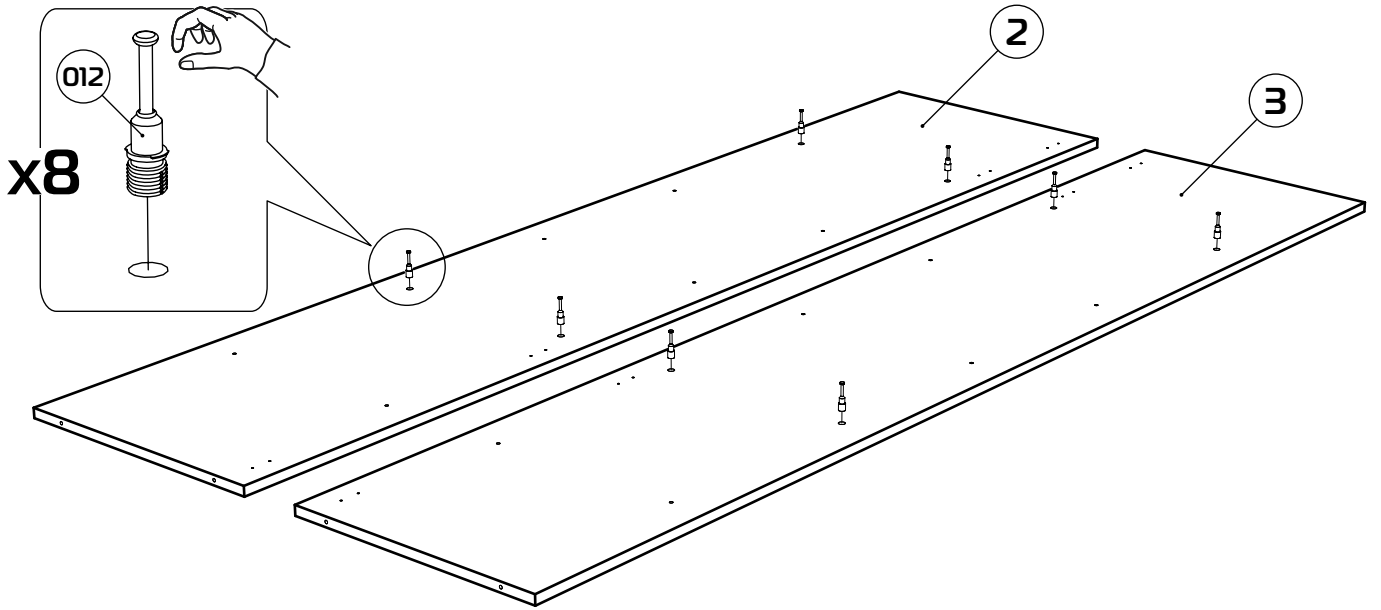


Поз.	Наименование	Δ x Ш x Т	Кол-во	№ пакета
1	Стенка горизонтальная	452x440x16	(x2)	2
2	Стенка вертикальная (правая)	2014x440x16	(x1)	1
3	Стенка вертикальная (левая)	2014x440x16	(x1)	1
4	Стенка горизонтальная	418x440x16	(x2)	2
5	Стенка горизонтальная	418x430x16	(x3)	2
6	Стенка задняя ДВПО	2042x447x3,2	(x1)	1
7	Дверь	716x446x16	(x1)	3
8	Дверь	512x446x16	(x1)	3

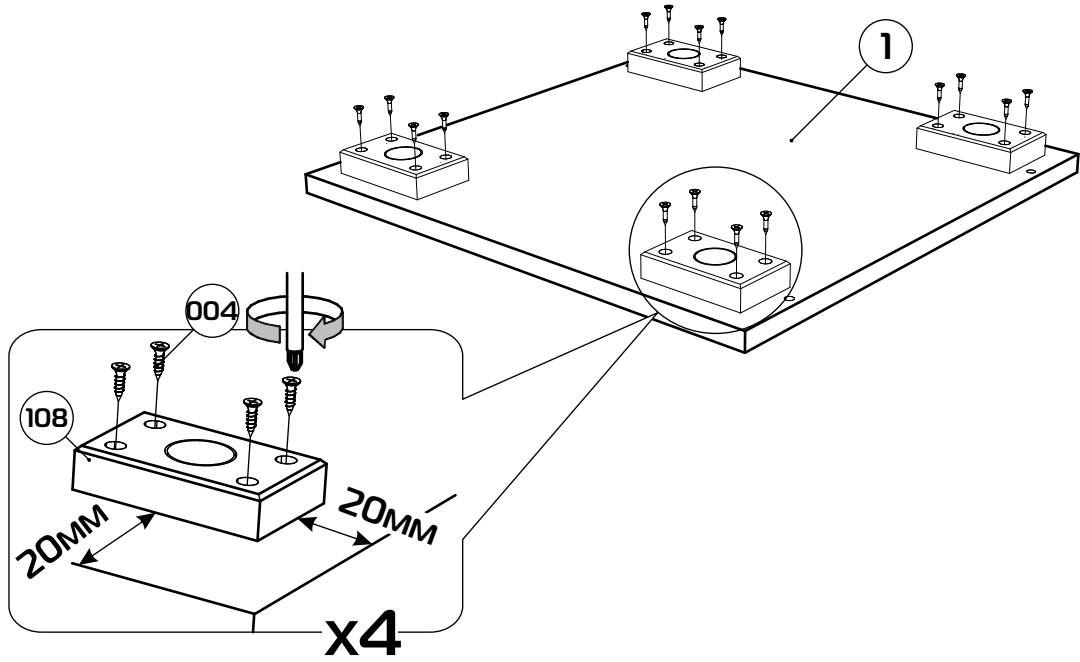
1:1



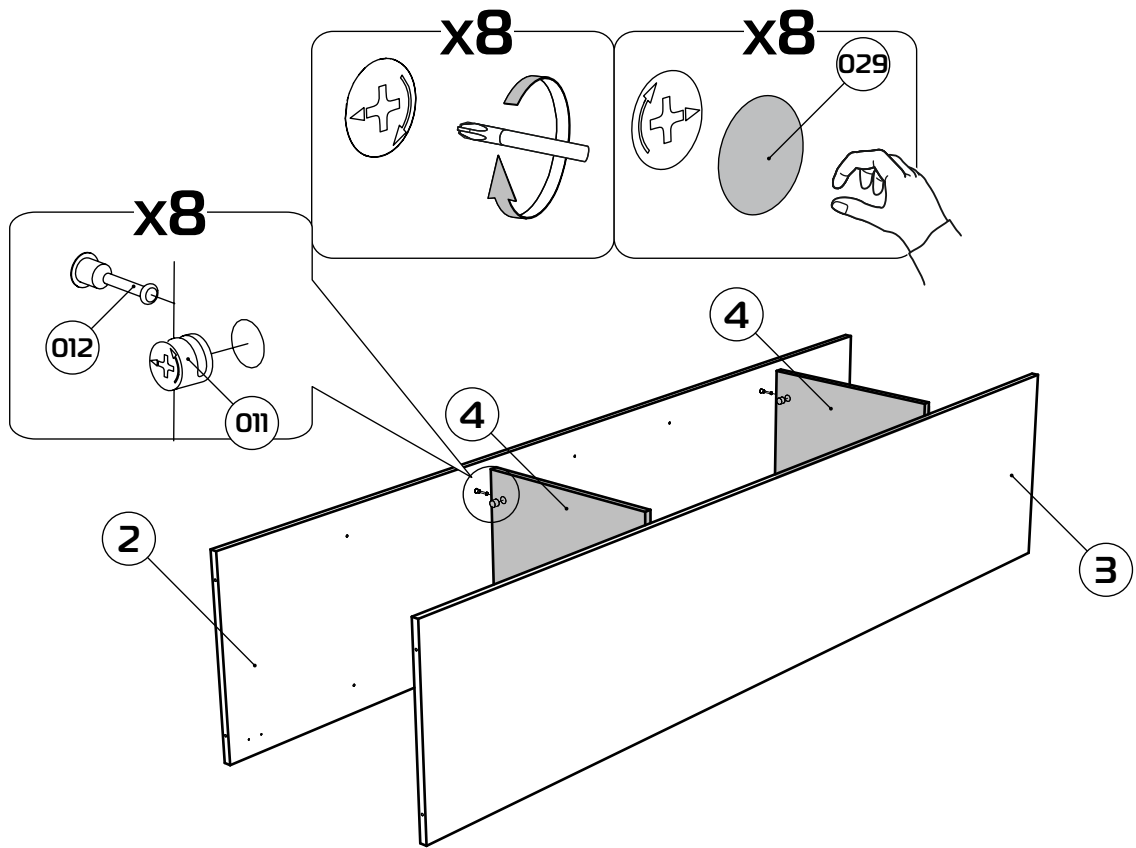
1



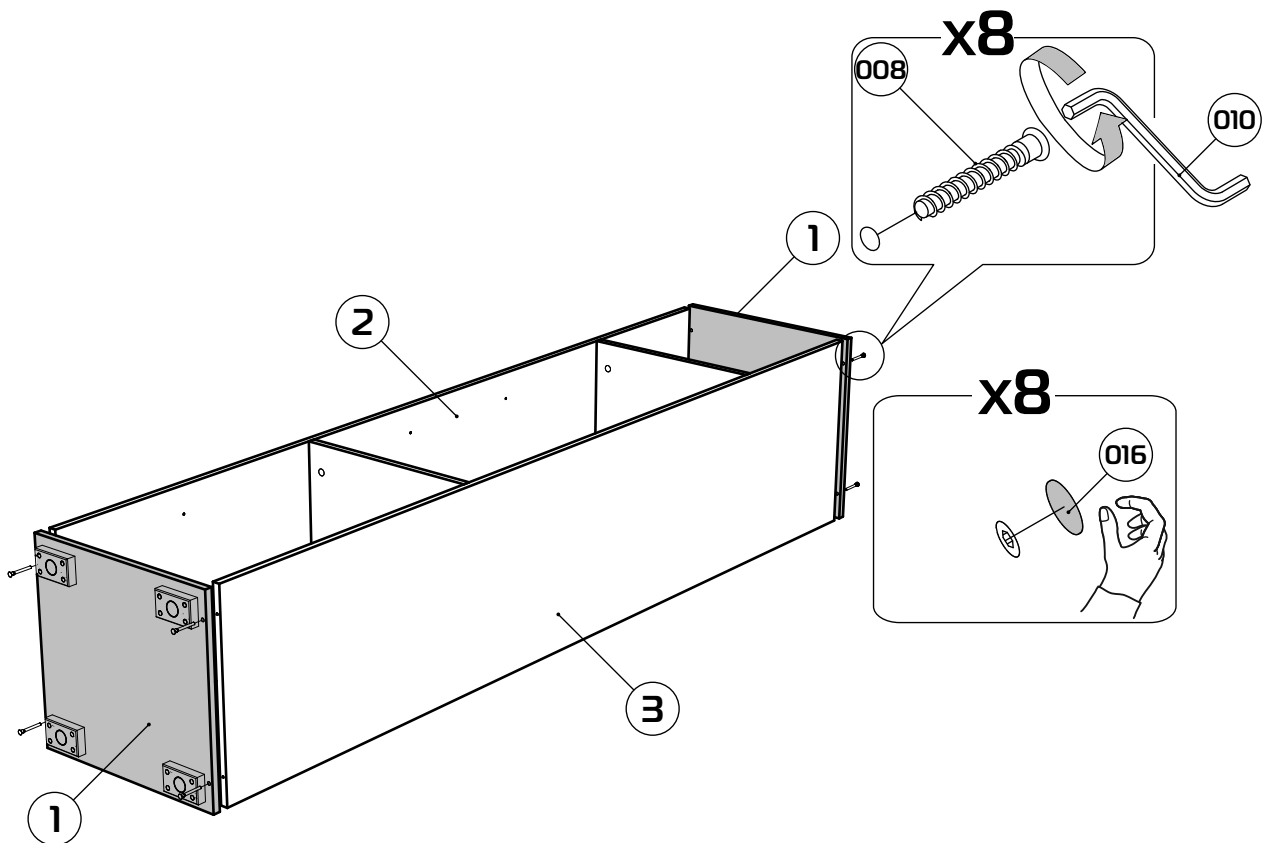
2



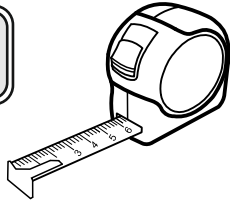
3



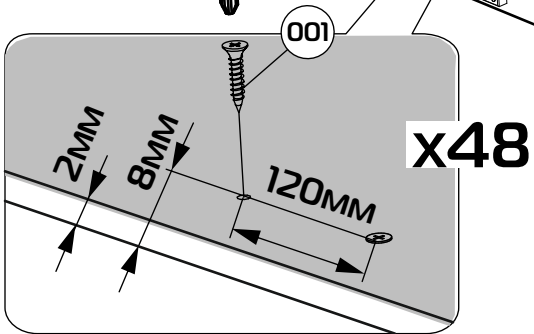
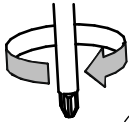
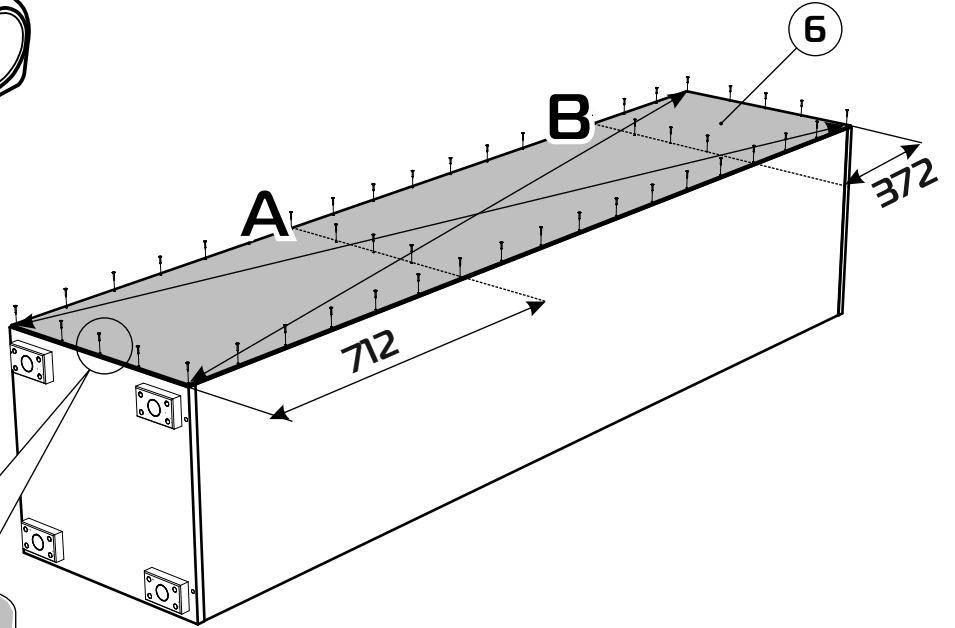
4



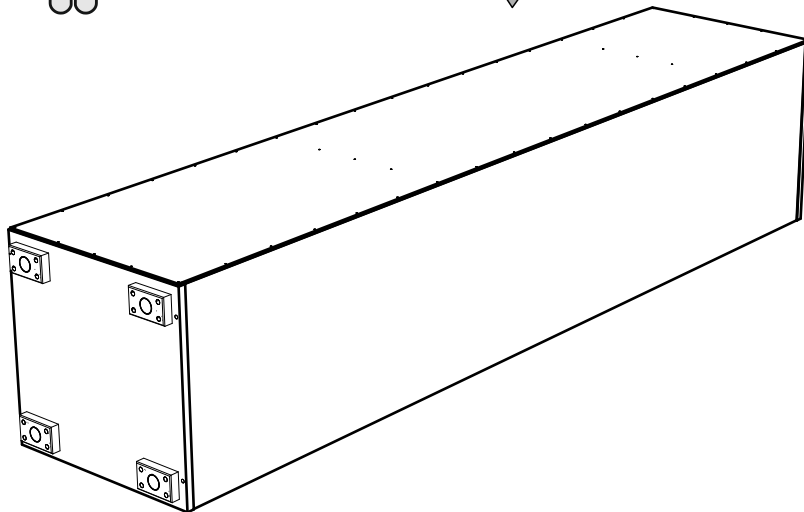
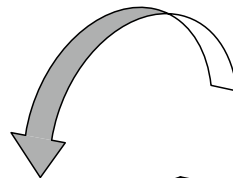
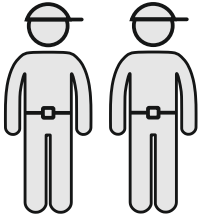
5



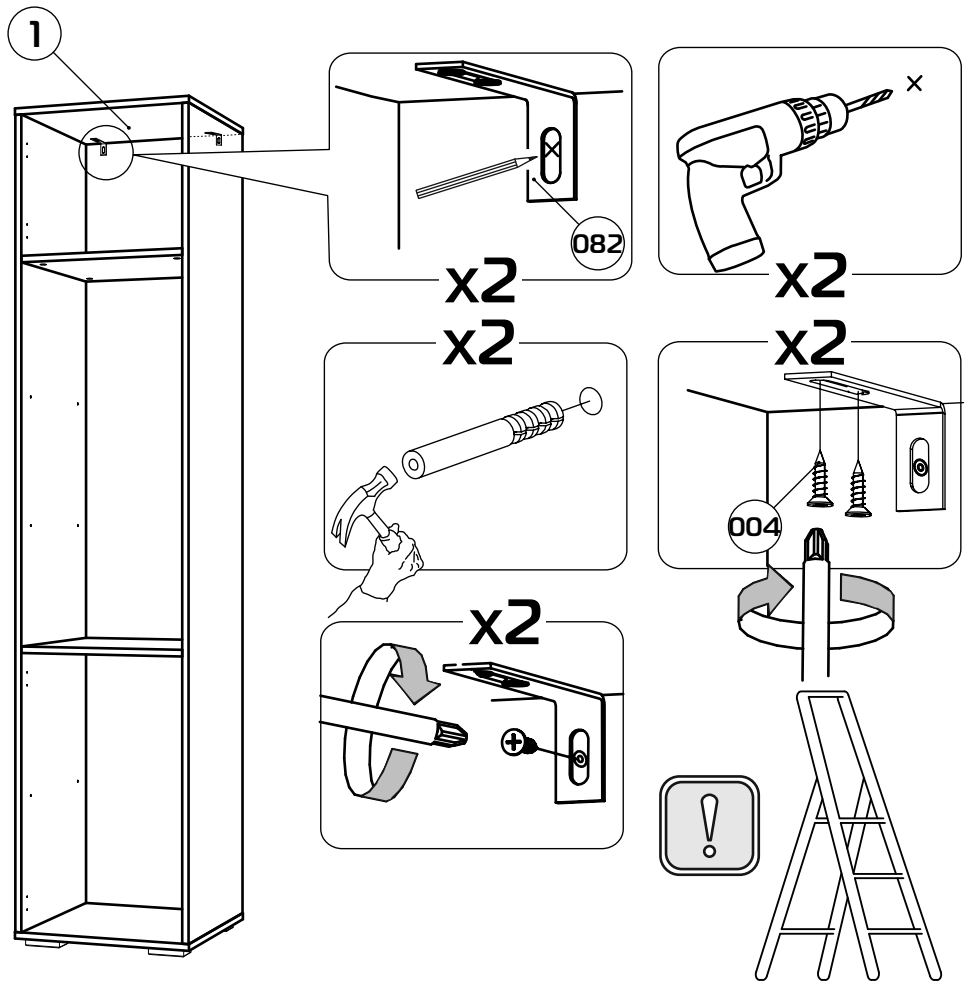
$A=B$



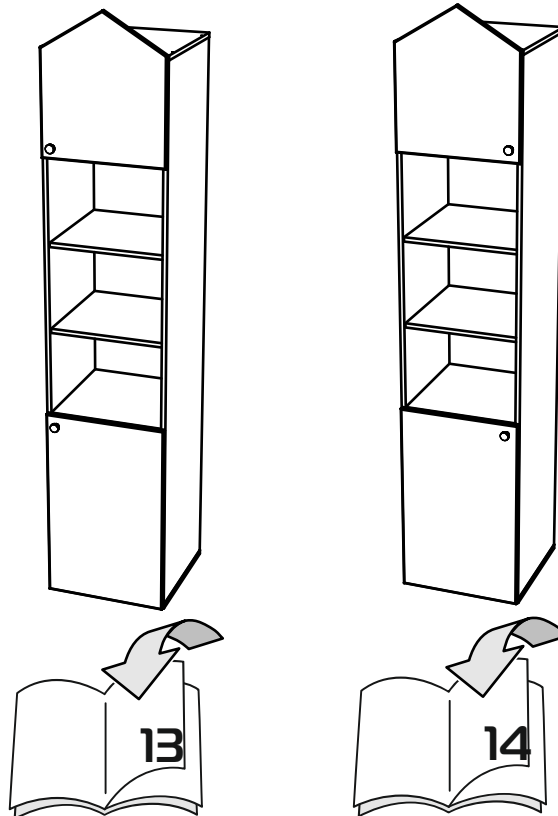
6



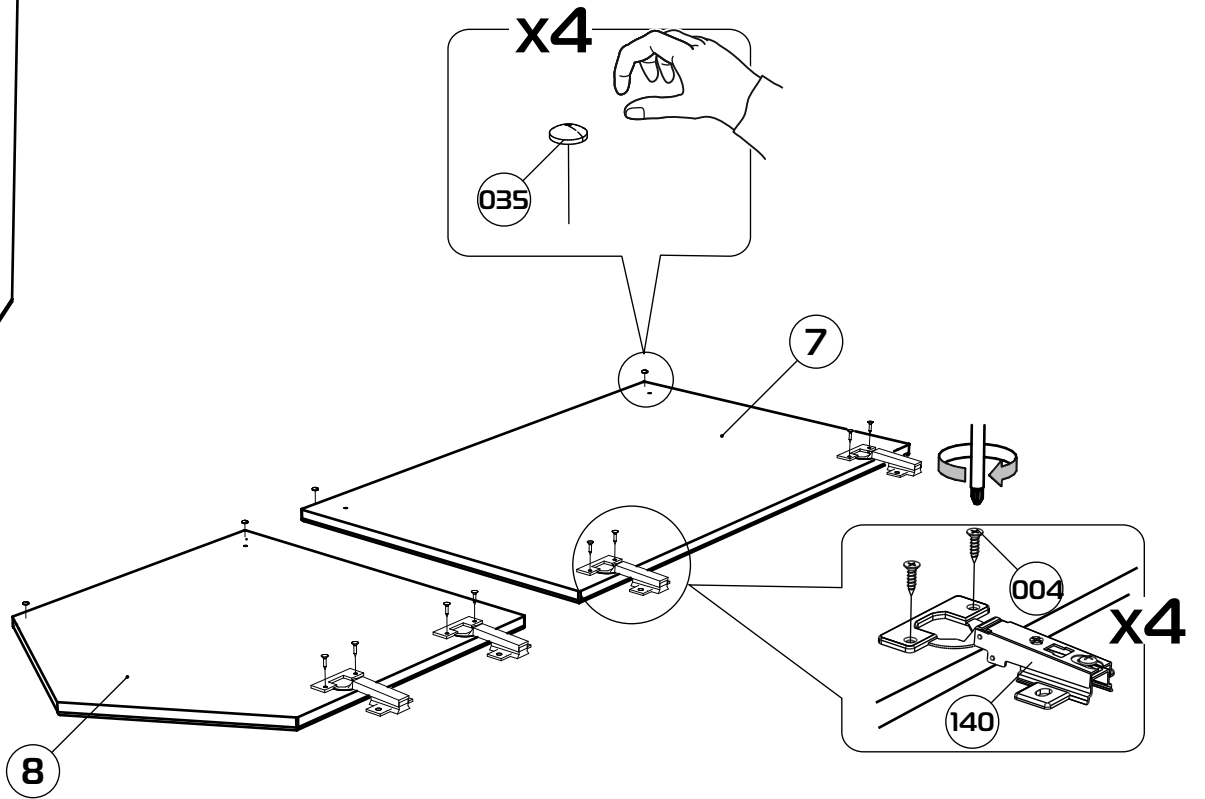
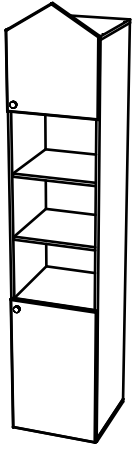
7



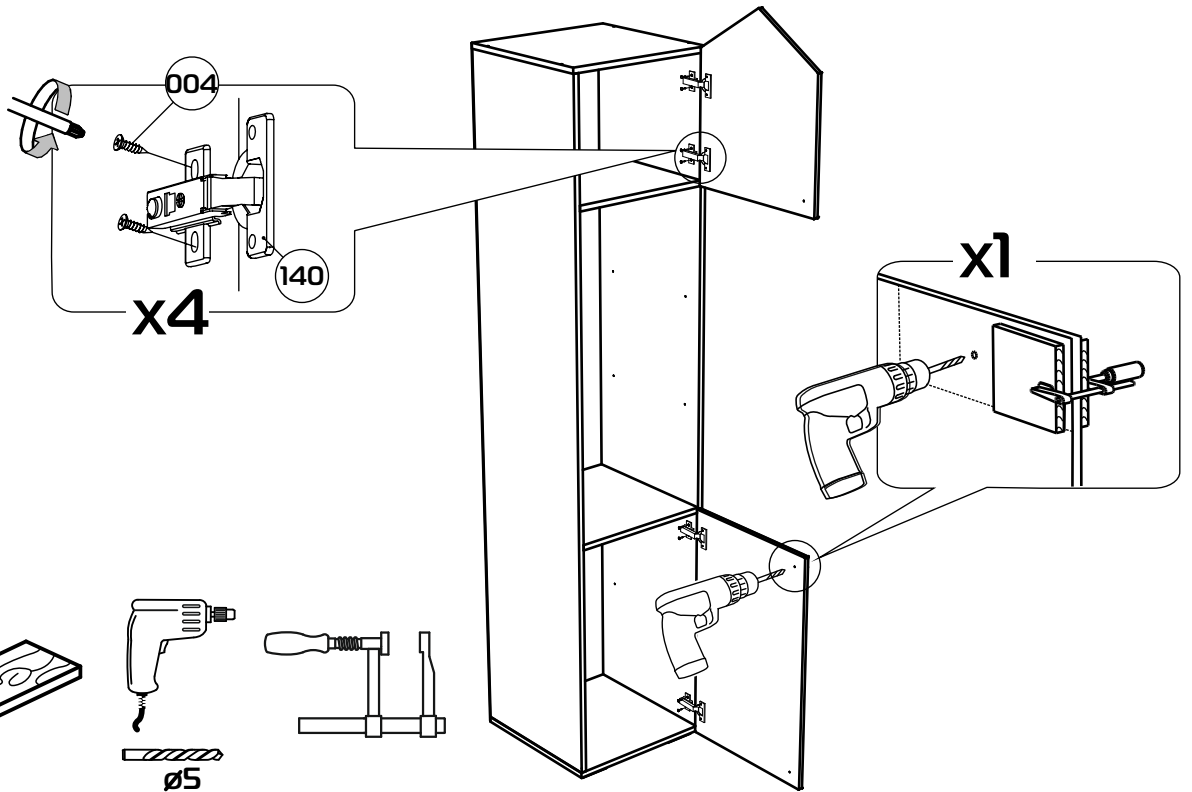
8



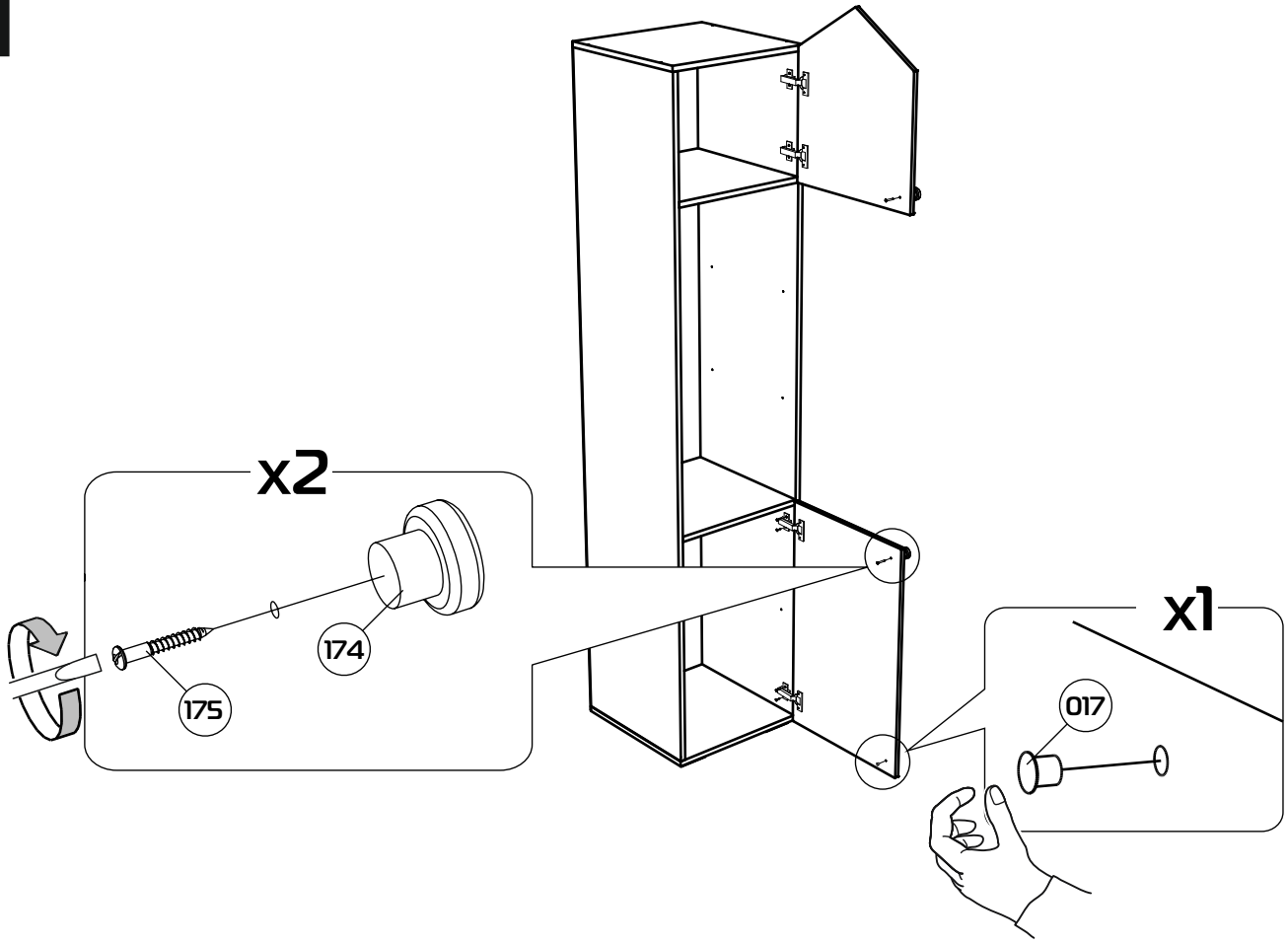
9



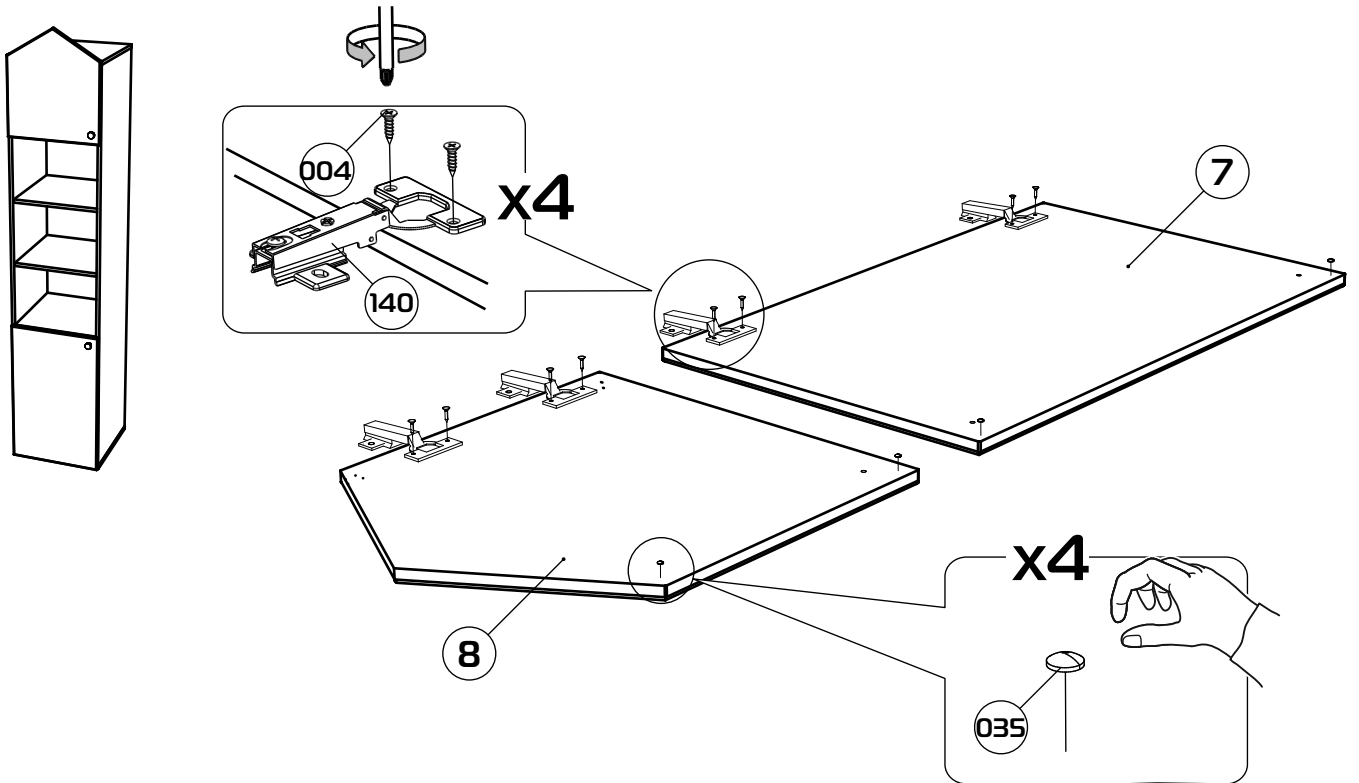
10



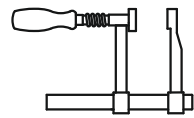
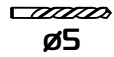
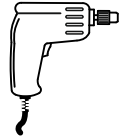
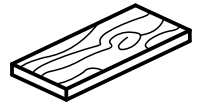
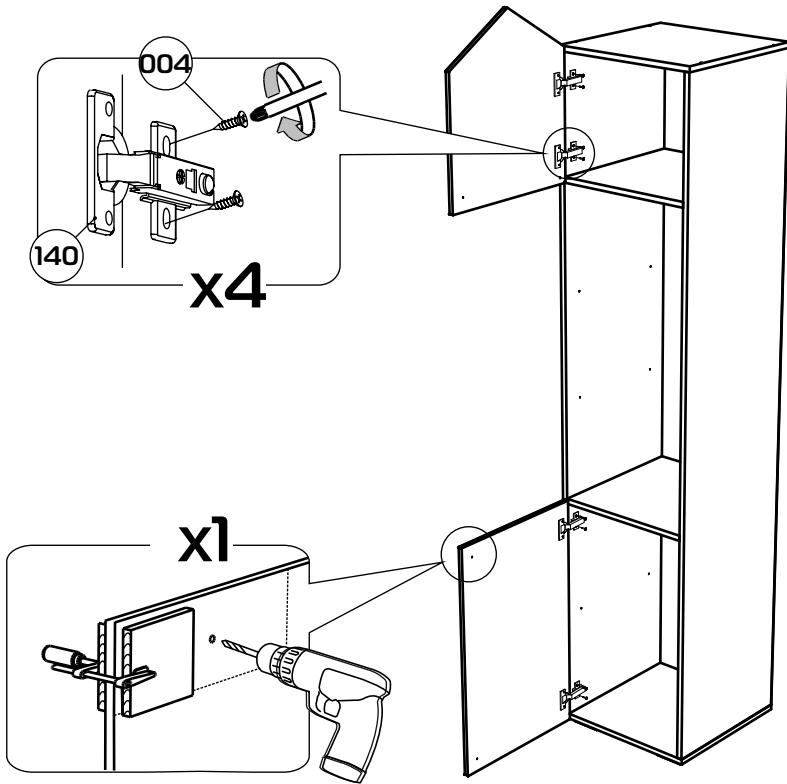
11



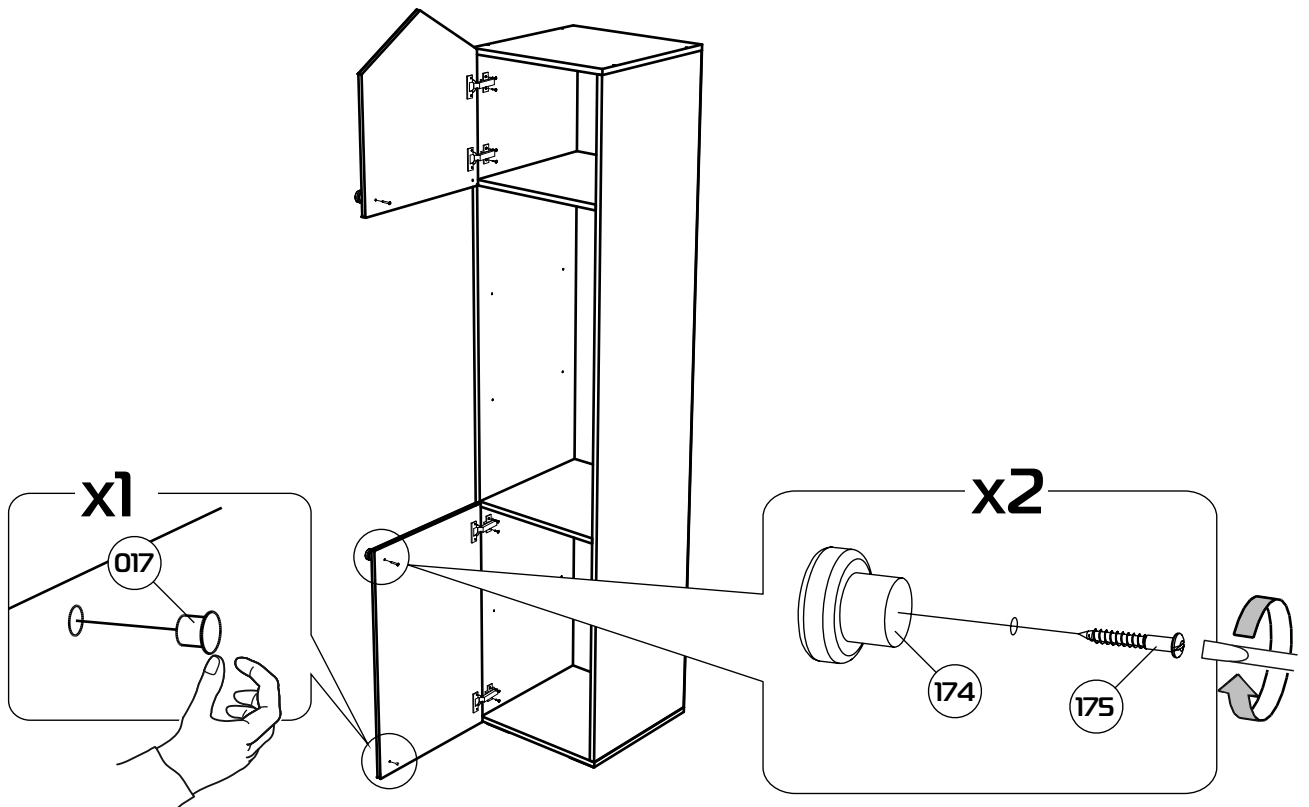
12

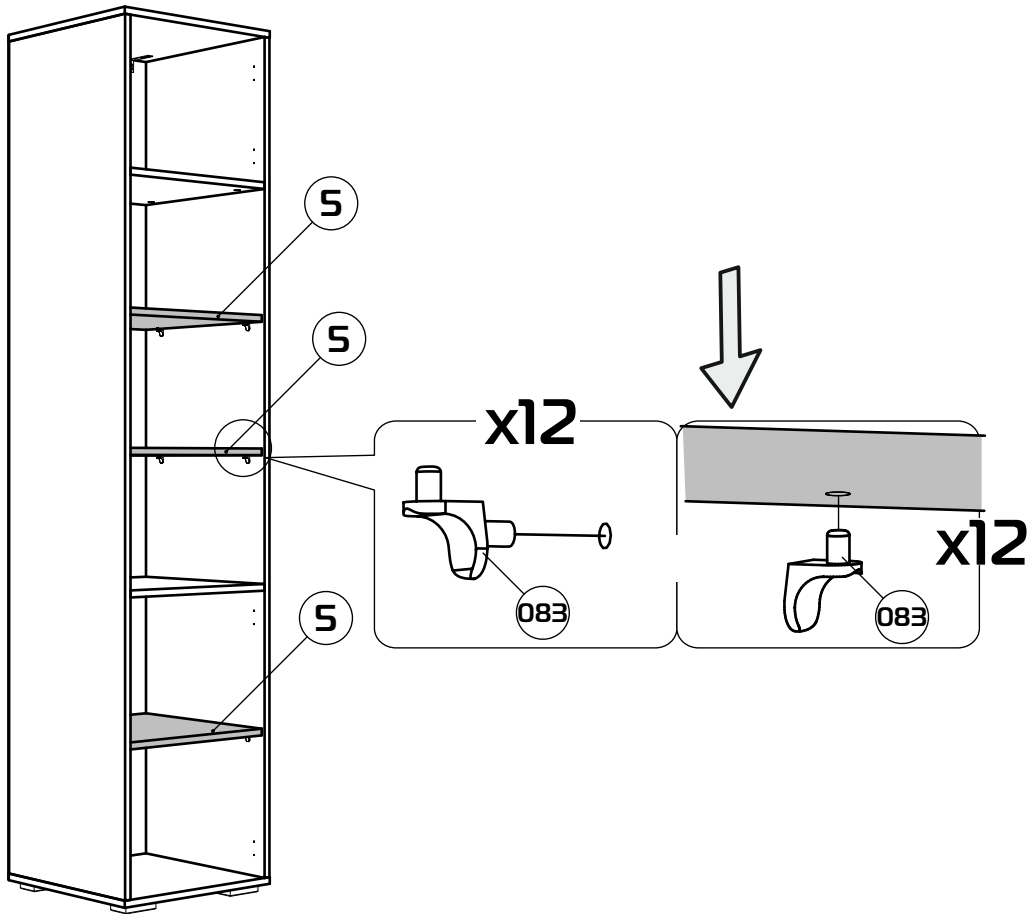
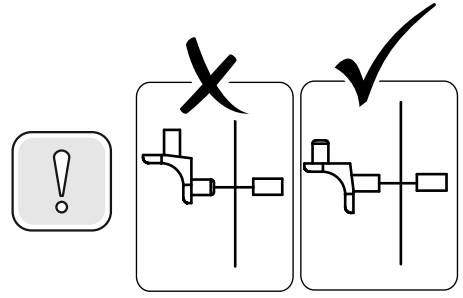


13



14





14

